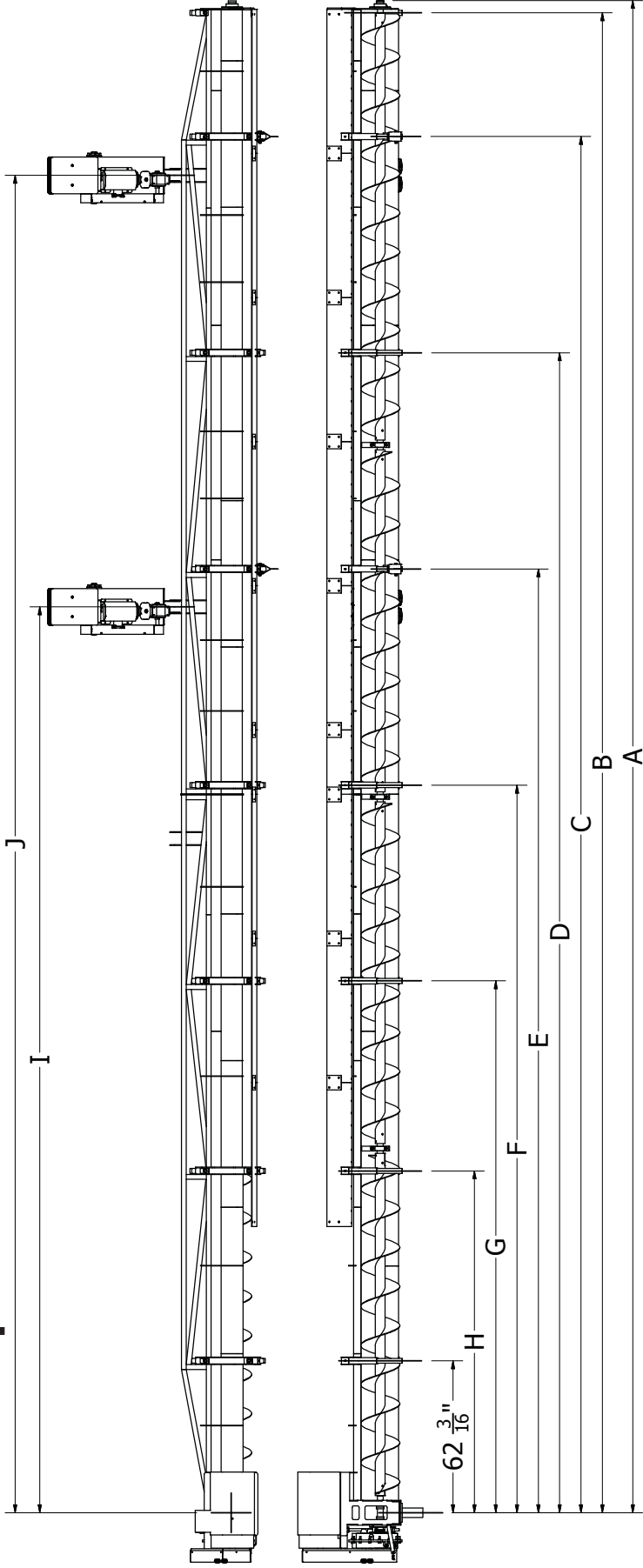




# Atlas TD Spec Sheet



'1X' identifies size.  
 For correct model,  
 substitute '1X' with  
 12 or 16.

| MODEL NO. | SECTIONS | A          | B          | C          | D          | E          | F          | G          | H          | I          | J          |
|-----------|----------|------------|------------|------------|------------|------------|------------|------------|------------|------------|------------|
| AT1X030   | 1        | 173 13/16" | 168 3/4"   | 118 1/4"   | n/a        | n/a        | n/a        | n/a        | n/a        | 102 1/4"   | n/a        |
| AT1X033   | 1        | 191 13/16" | 196 3/4"   | 136 1/4"   | n/a        | n/a        | n/a        | n/a        | n/a        | 120 1/4"   | n/a        |
| AT1X036   | 1        | 209 13/16" | 204 3/4"   | 154 1/4"   | n/a        | n/a        | n/a        | n/a        | n/a        | 138 1/4"   | n/a        |
| AT1X042   | 1        | 244 13/16" | 239 3/4"   | 189 1/4"   | 125 23/32" | n/a        | n/a        | n/a        | n/a        | 173 1/4"   | n/a        |
| AT1X048   | 1        | 281 3/8"   | 276 5/16"  | 225 13/16" | 144"       | n/a        | n/a        | n/a        | n/a        | 209 13/16" | n/a        |
| AT1X054   | 1        | 317 3/8"   | 312 5/16"  | 262 3/16"  | 162 3/16"  | n/a        | n/a        | n/a        | n/a        | 245 13/16" | n/a        |
| AT1X060   | 2        | 351 1/2"   | 346 7/16"  | 297 13/16" | 217 11/16" | 139 15/16" | n/a        | n/a        | n/a        | 276"       | n/a        |
| AT1X072   | 2        | 422 1/2"   | 417 7/16"  | 366 13/16" | 297 13/16" | 217 11/16" | 139 15/16" | n/a        | n/a        | 276"       | 350 15/16" |
| AT1X075   | 2        | 438 1/2"   | 433 7/16"  | 382 13/16" | 297 13/16" | 217 11/16" | 139 15/16" | n/a        | n/a        | 276"       | 366 15/16" |
| AT1X078   | 2        | 457 1/2"   | 452 7/16"  | 401 13/16" | 297 13/16" | 217 11/16" | 139 15/16" | n/a        | n/a        | 276"       | 385 15/16" |
| AT1X090   | 2        | 529 1/2"   | 524 7/16"  | 473 13/16" | 385 13/16" | 297 13/16" | 217 11/16" | 139 15/16" | n/a        | 276"       | 457 15/16" |
| AT1X105   | 2        | 619"       | 613 15/16" | 563 5/16"  | 474 13/16" | 386 5/16"  | 297 13/16" | 217 11/16" | 139 15/16" | 370 13/16" | 547 7/16"  |