



OPTIONAL: INLET PANELS

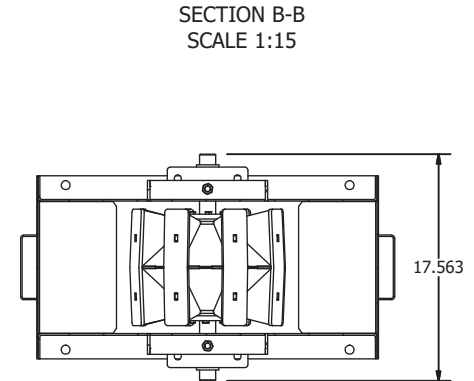
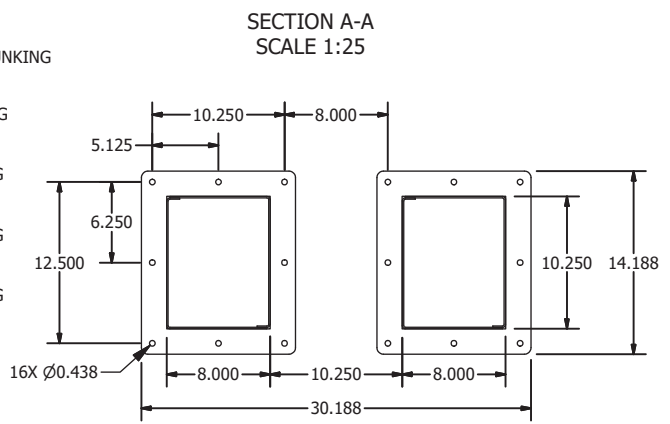
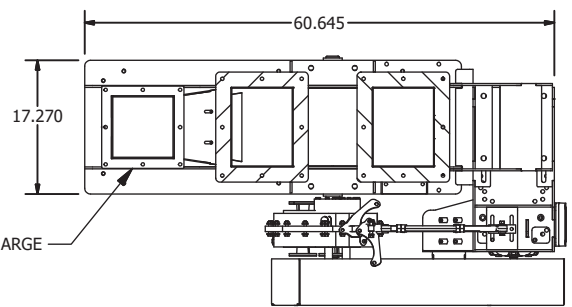
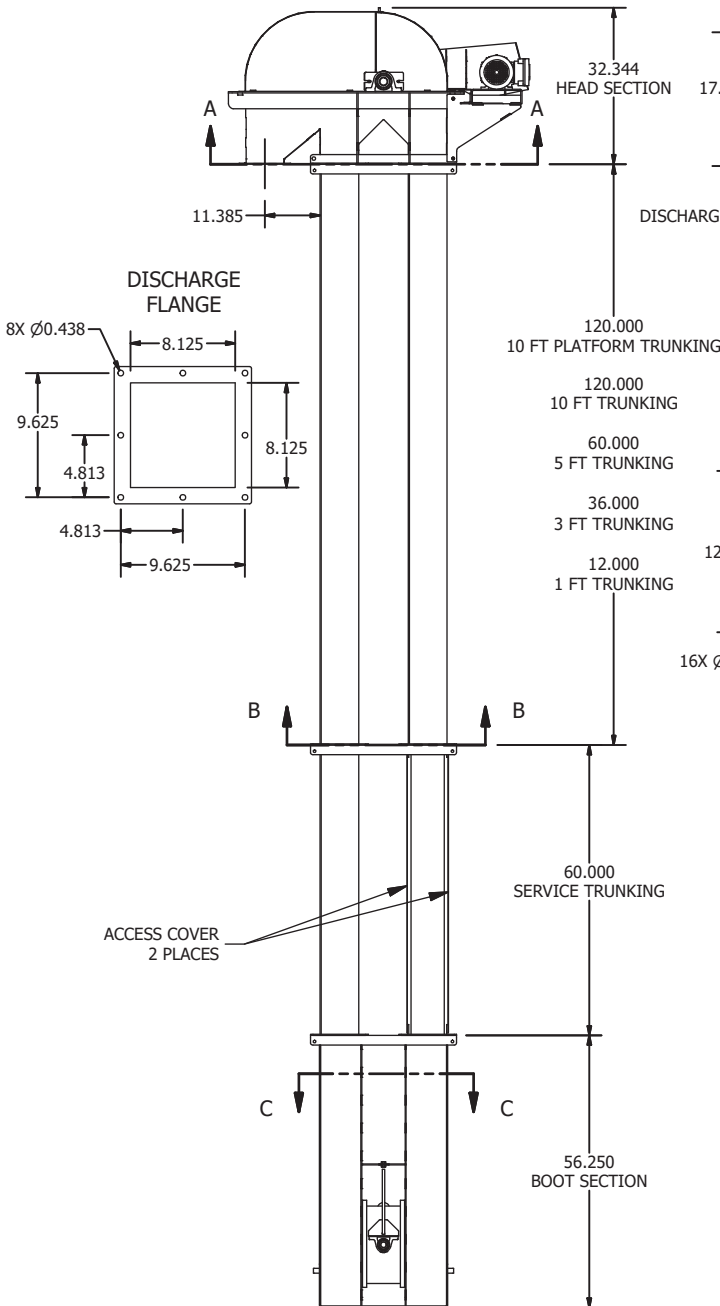
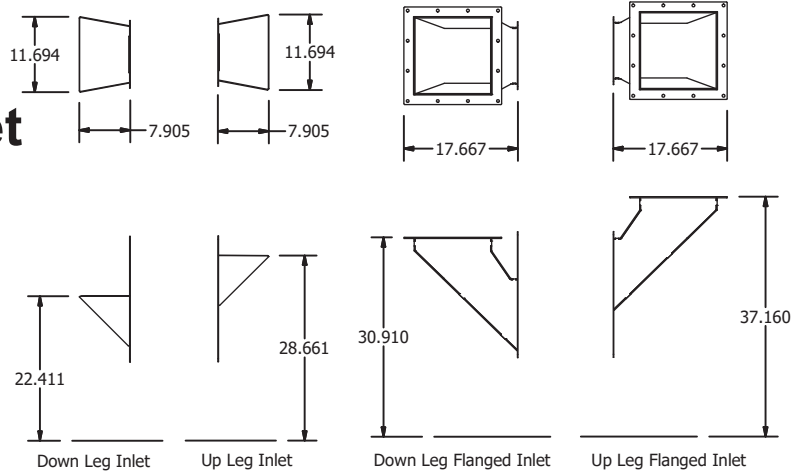
Bucket Elevator Spec Sheet

1200 series Belt Drive

Bushels per hour

	1000*	1500	2000*
Cup Size	7" x 5"	7" x 5"	7" x 5"
Cup Spacing	12"	6"	6"
Head Shaft RPM	192	175	192
Belt FPM	629	573	629

* Only Belt Drives & Chain Drives Available as Pulleys/Sprockets are used to Speed up Belt to desired Capacity



12" Drum x 9" Wide

