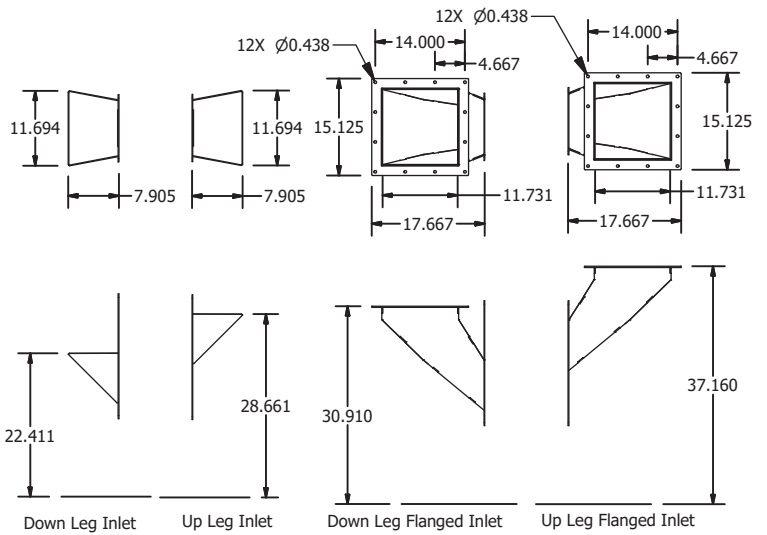




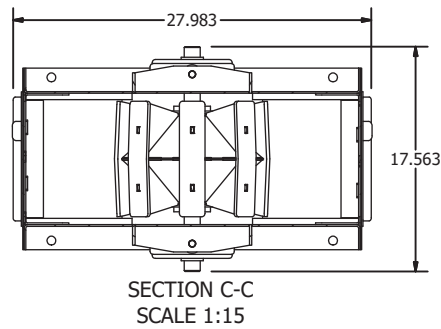
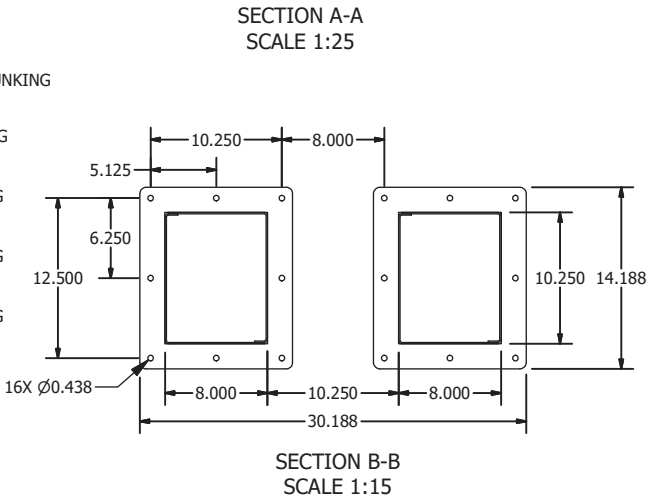
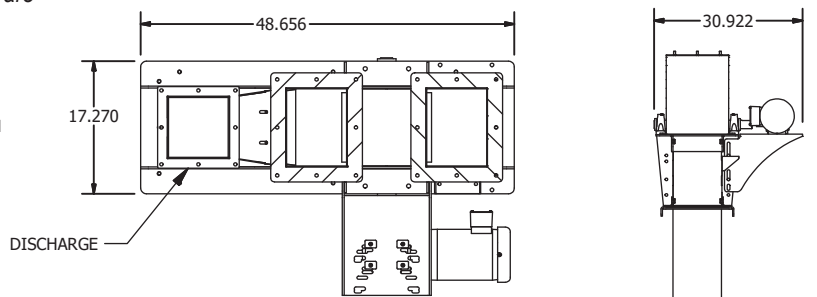
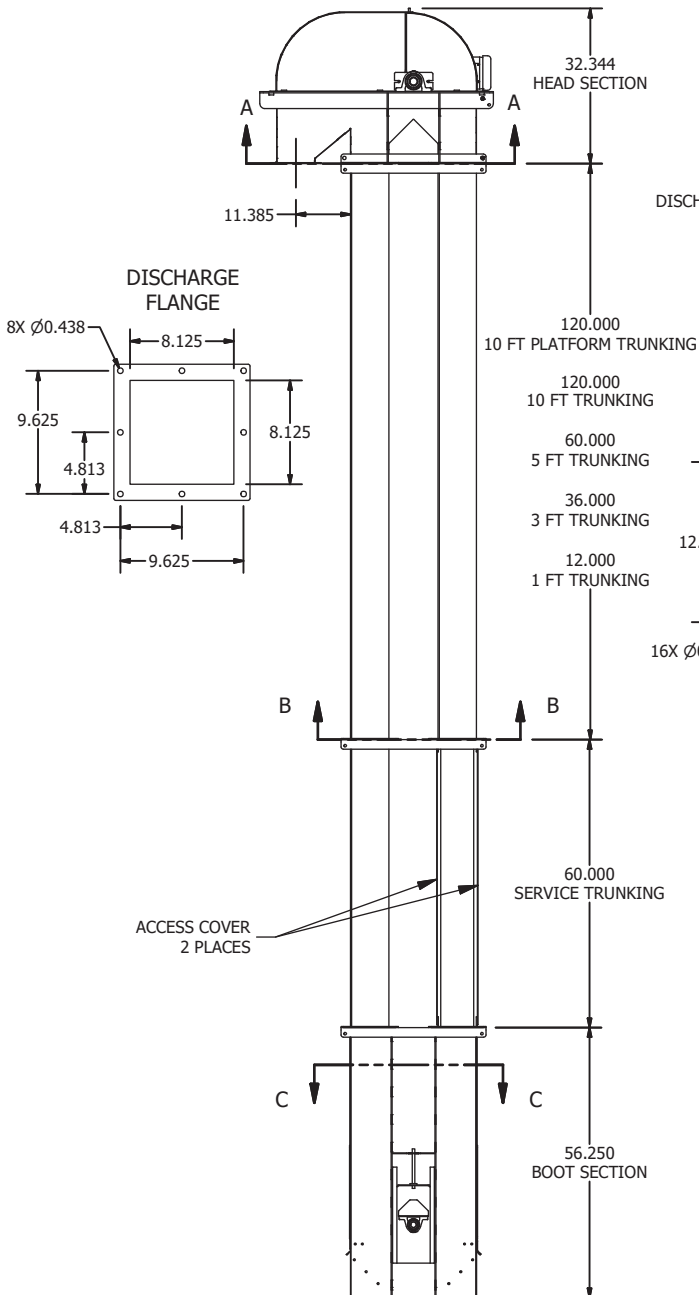
OPTIONAL: INLET PANELS



**Bucket Elevator Spec Sheet
1200 series Direct Drive**

Cup Size	Bushels per hour		
	1000*	1500	2000*
Cup Spacing	7" x 5"	7" x 5"	7" x 5"
Head Shaft RPM	192	175	192
Belt FPM	629	573	629

* Only Belt Drives & Chain Drives Available as Pulleys/Sprockets are used to Speed up Belt to desired Capacity



12" Drum x 9" Wide

