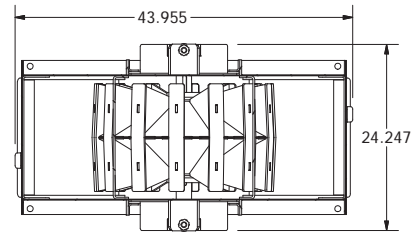
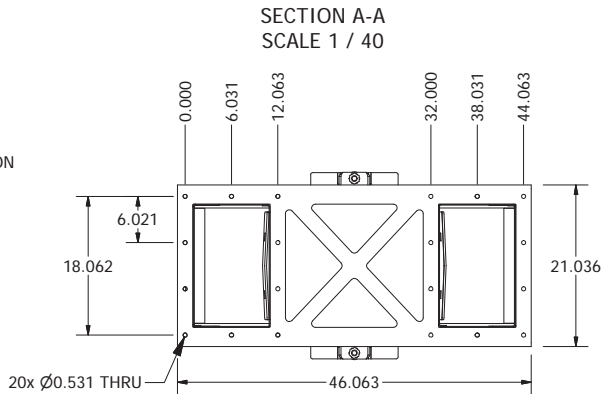
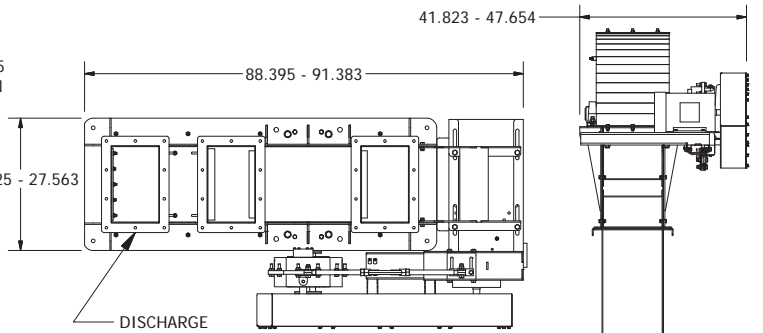
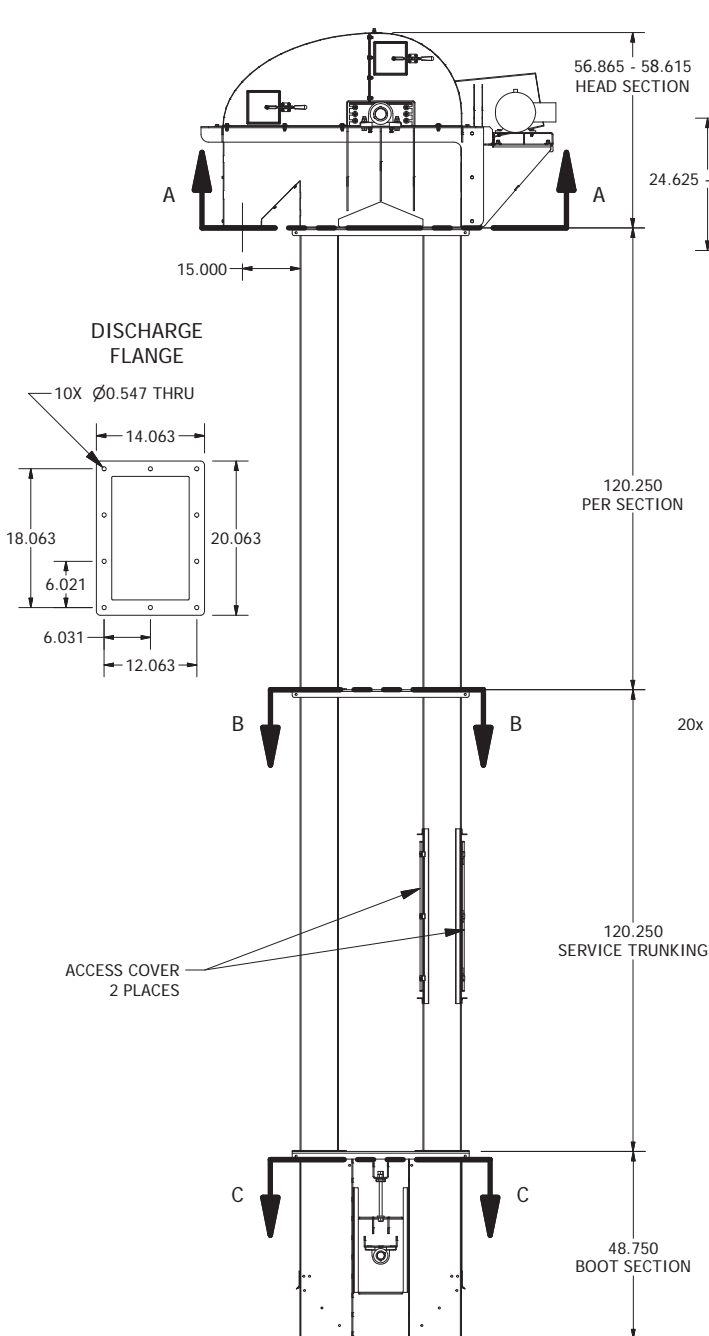
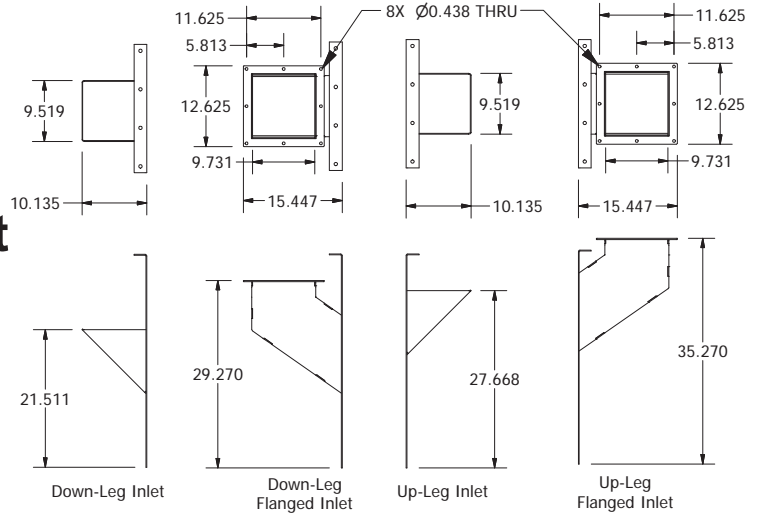




# Bucket Elevator Spec Sheet

## 2400 series

### OPTIONAL: INLET PANELS



24" Drum x 14" Wide

CLEAN OUT DOOR BOTH SIDES

