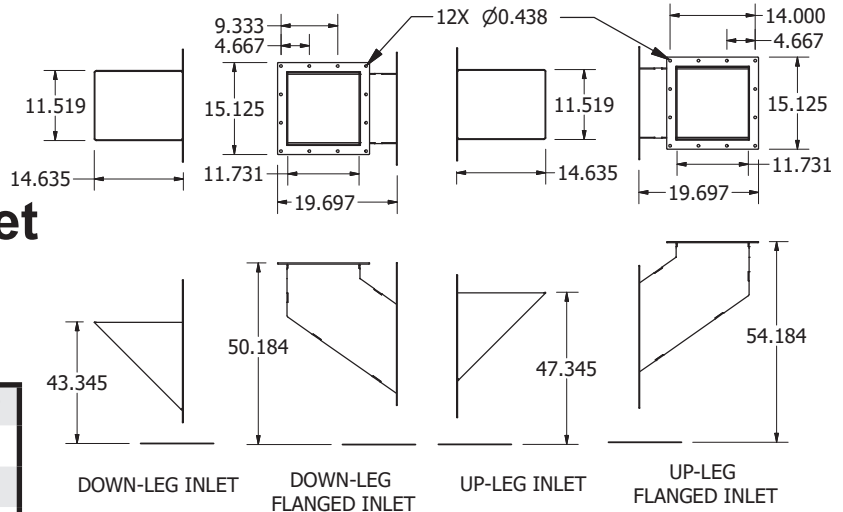




OPTIONAL: INLET PANELS



Bucket Elevator Spec Sheet
3000 series

	Bushels per hour		
	4000	5000	6000
Cup Size	11" x 6"	13" x 6"	13" x 6" LP
Cup Spacing	9 1/2"	7 1/2"	5 3/4"
Head Shaft RPM	67	67	67
Belt FPM	540	540	540

