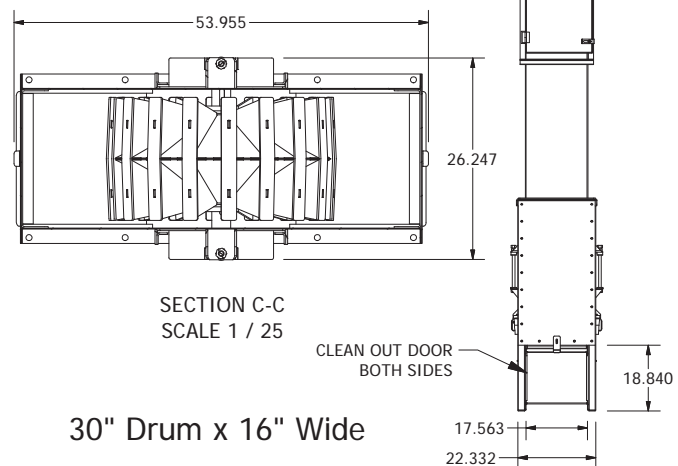
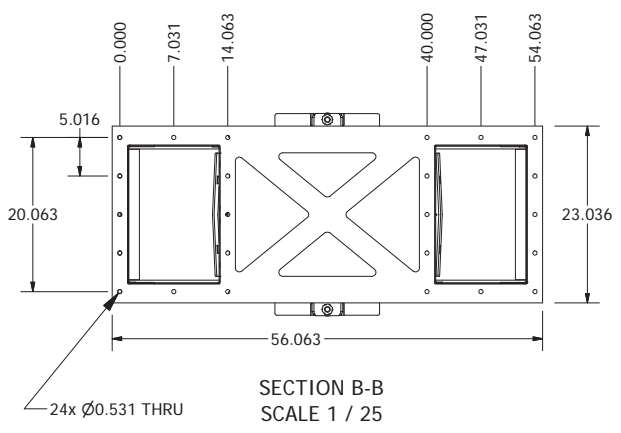
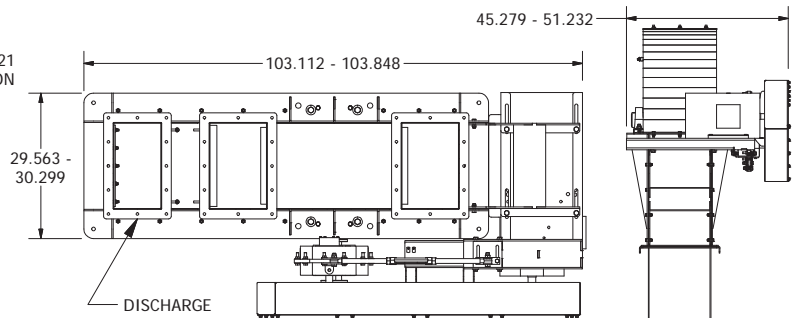
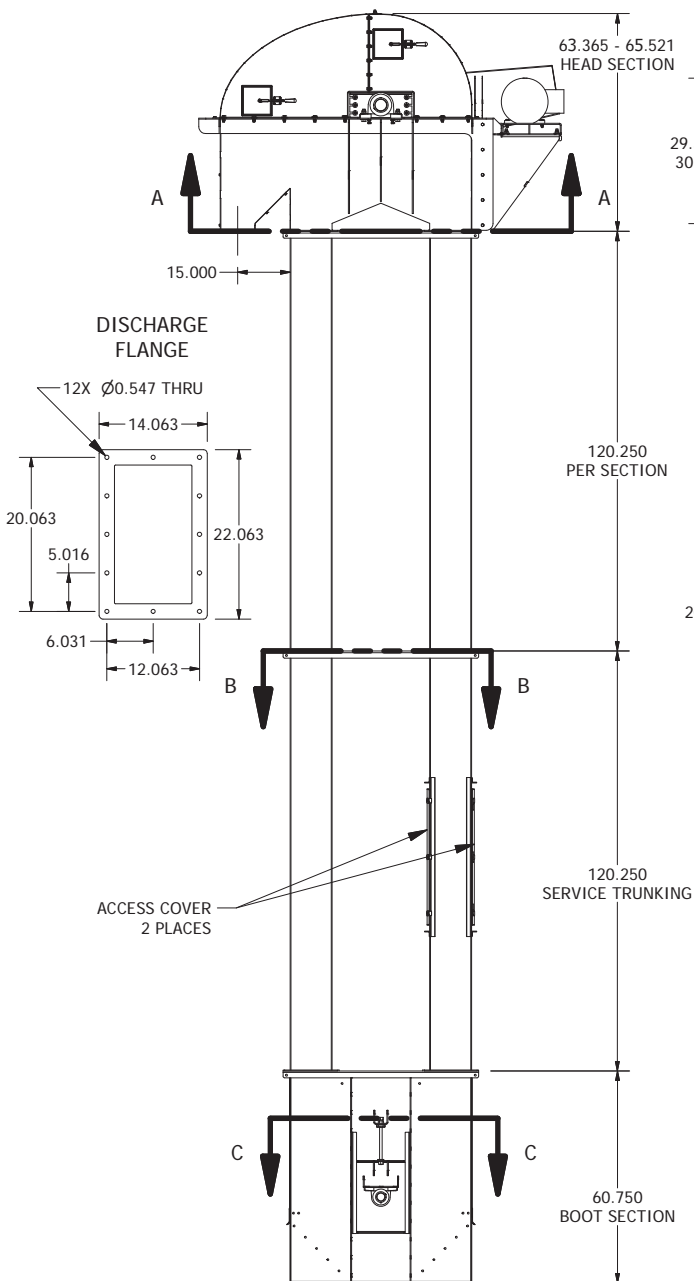
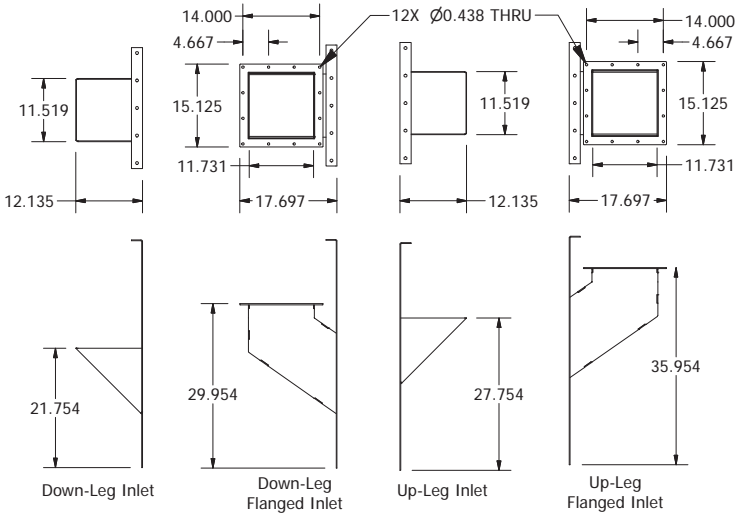




Bucket Elevator Spec Sheet

3000 series

OPTIONAL: INLET PANELS



30" Drum x 16" Wide