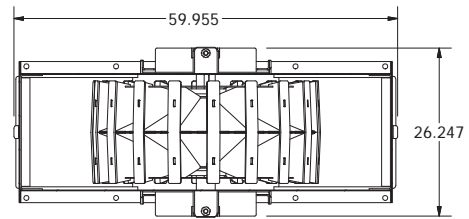
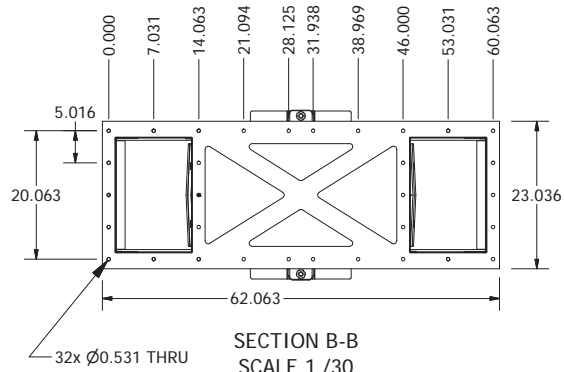
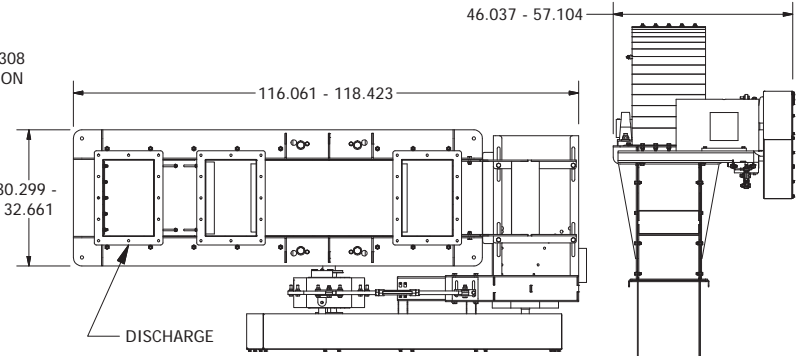
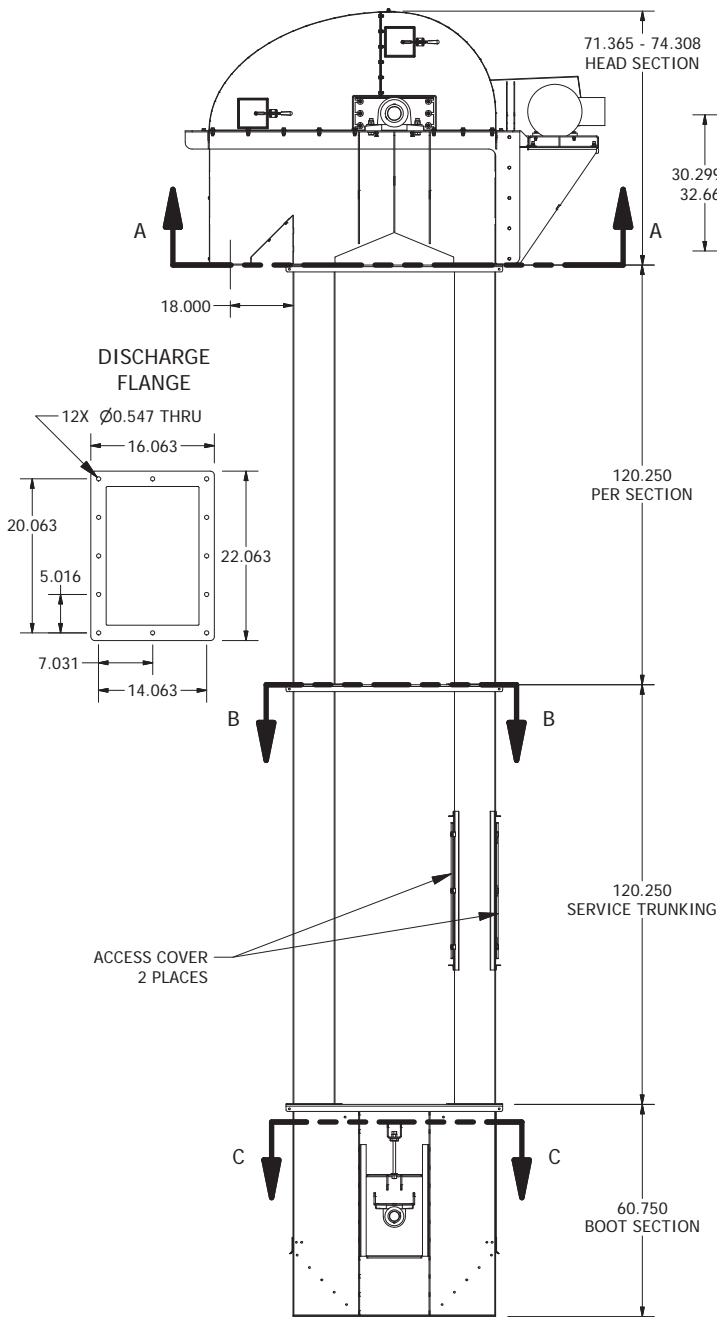
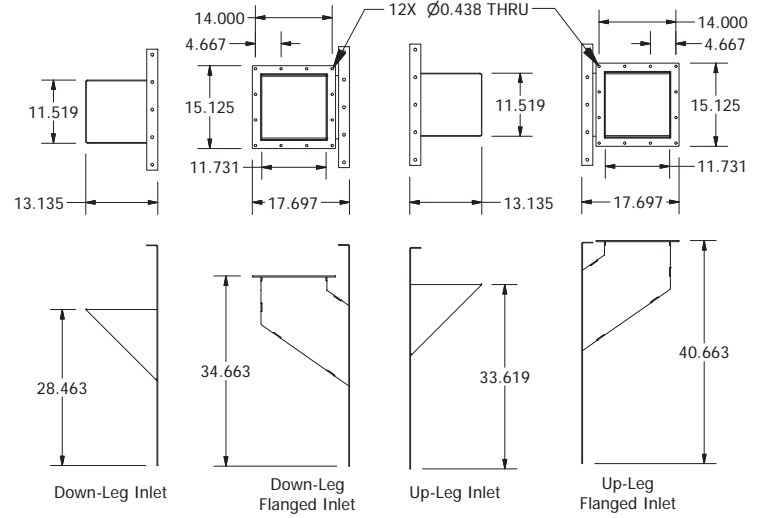




# Bucket Elevator Spec Sheet

## 3600 series

### OPTIONAL: INLET PANELS



36" Drum x 16" Wide

