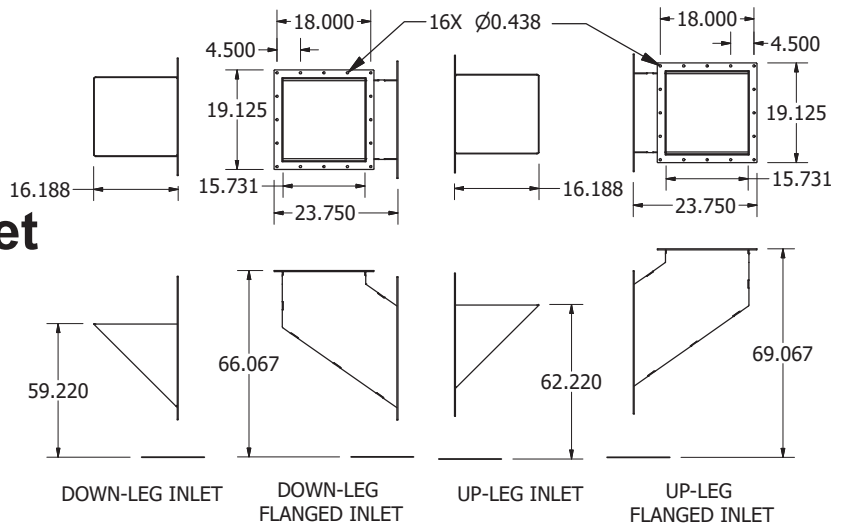




OPTIONAL: INLET PANELS



Bucket Elevator Spec Sheet

4200 series

Bushels per hour

	10000	12000
Cup Size	16" x 8"	16" x 8"
Cup Spacing	12 1/4"	10"
Head Shaft RPM	60	60
Belt FPM	673	673

