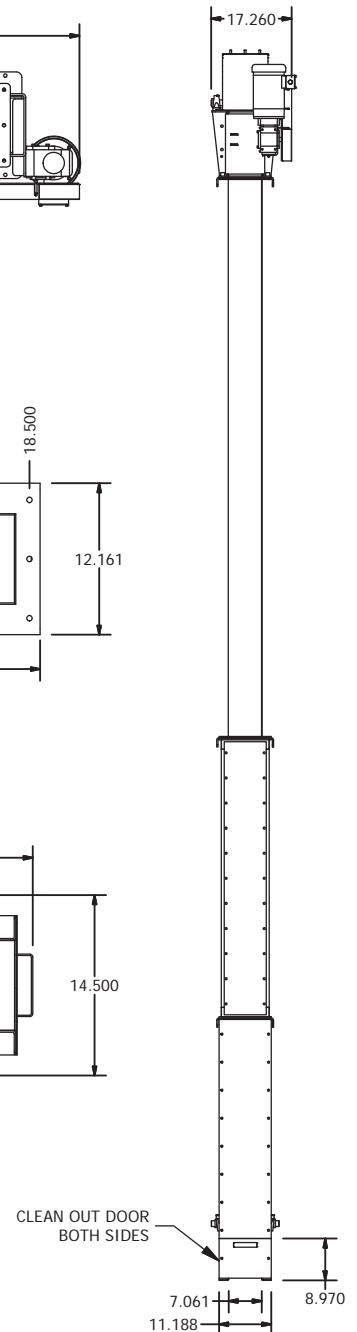
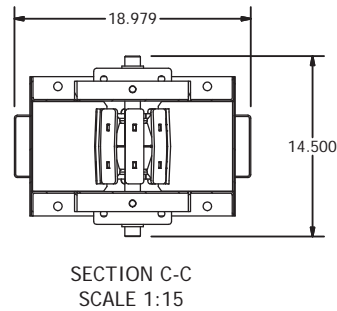
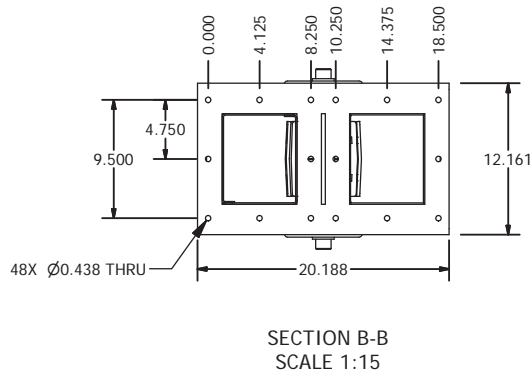
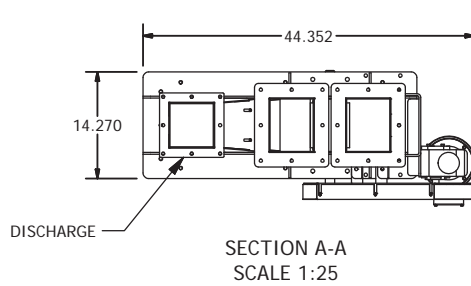
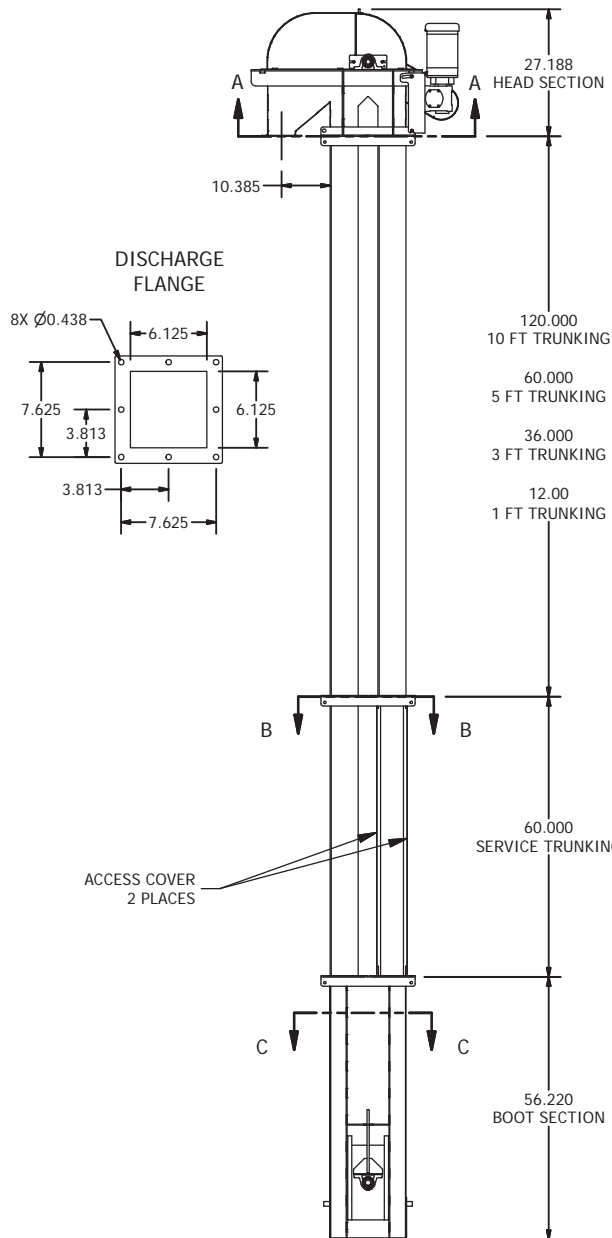
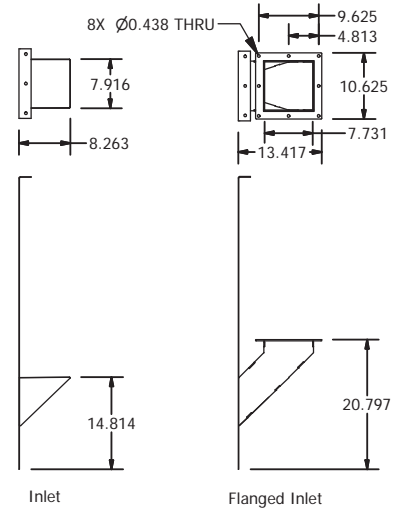




Bucket Elevator Spec Sheet

600 series Chain Drive

OPTIONAL: INLET PANELS



6" Drum x 6" Wide