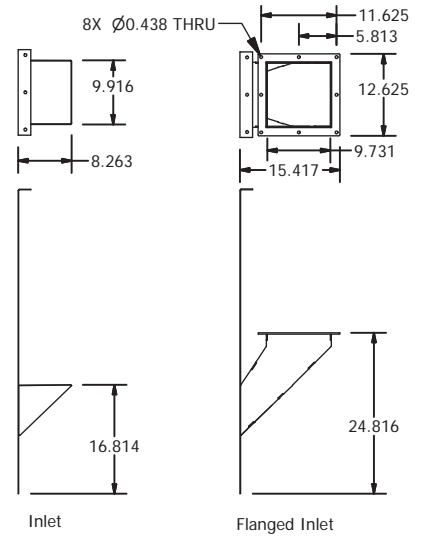




Bucket Elevator Spec Sheet

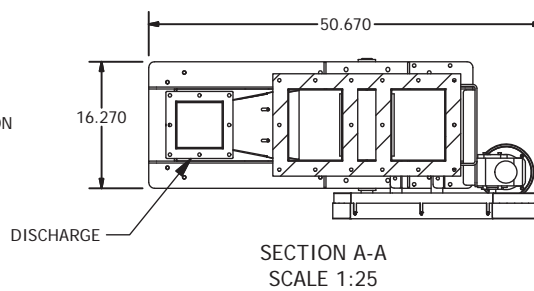
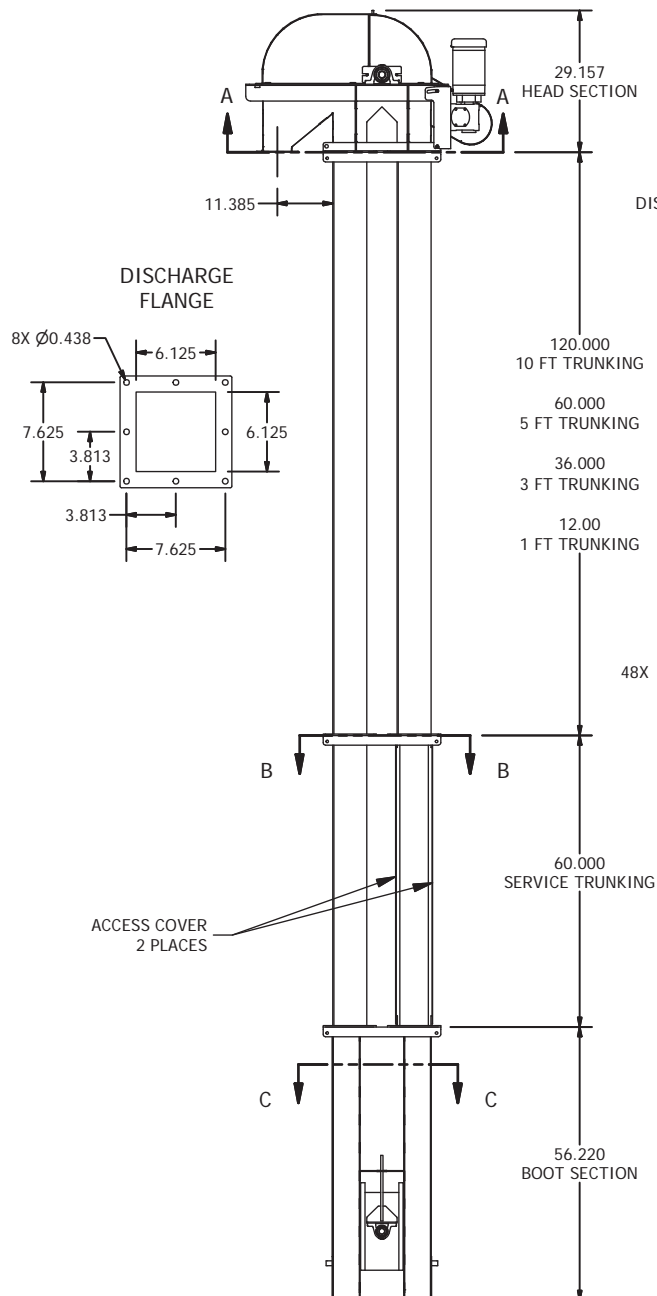
800 series Chain Drive

OPTIONAL: INLET PANELS

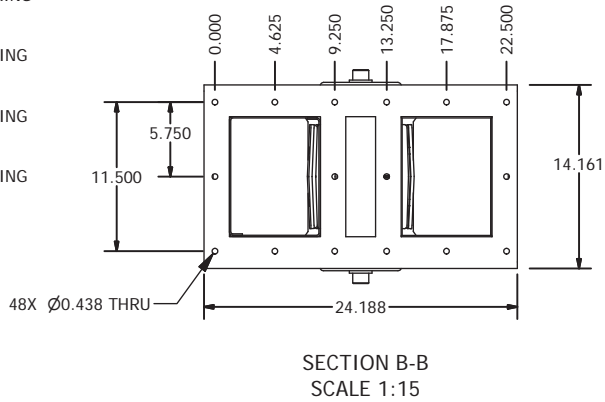


Inlet

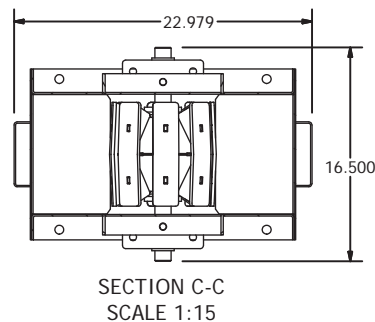
Flanged Inlet



SECTION A-A
SCALE 1:25

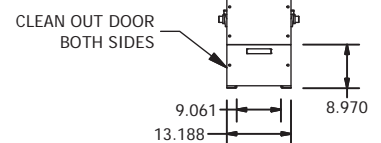


SECTION B-B
SCALE 1:15



SECTION C-C
SCALE 1:15

8" Drum x 9" Wide



CLEAN OUT DOOR
BOTH SIDES