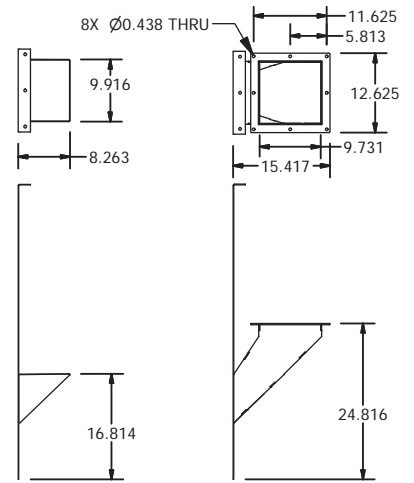




# Bucket Elevator Spec Sheet

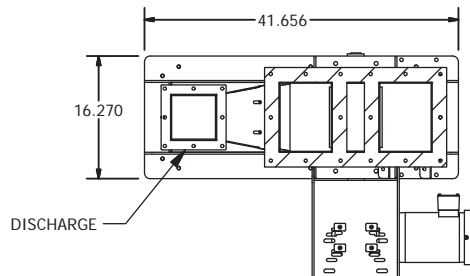
## 800 series Direct Drive

### OPTIONAL: INLET PANELS

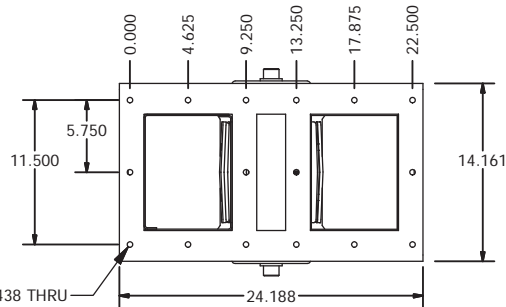


Inlet

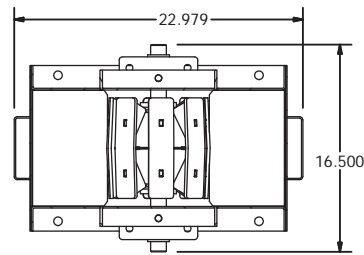
Flanged Inlet



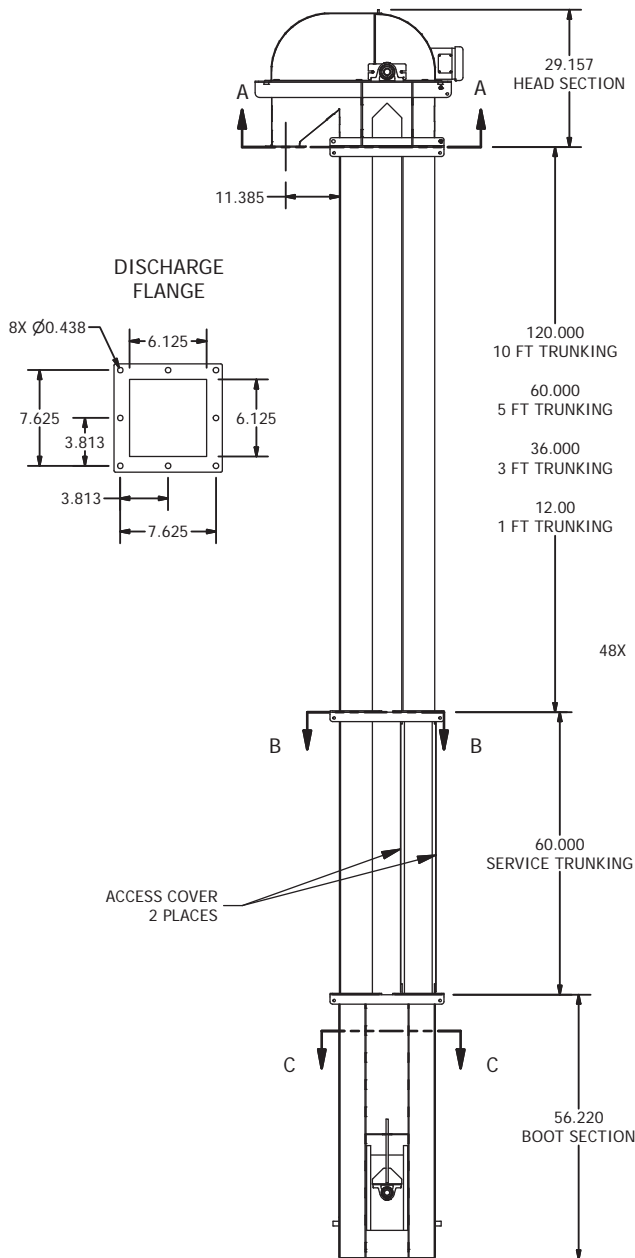
SECTION A-A  
SCALE 1:25



SECTION B-B  
SCALE 1:15



SECTION C-C  
SCALE 1:15



8" Drum x 9" Wide

