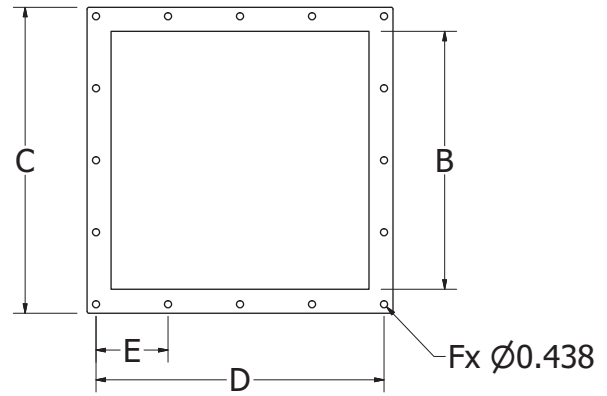
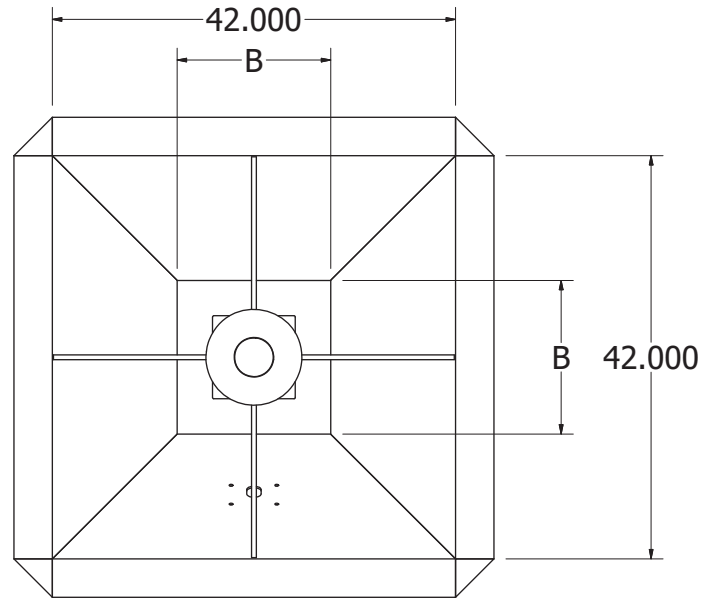
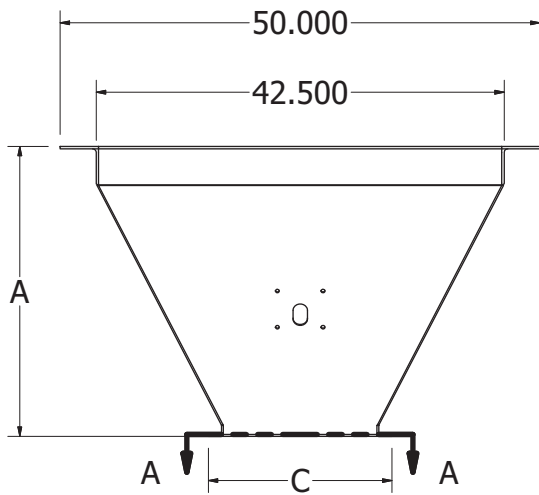




# Sump Spec Sheet



SECTION A-A



## Collector Ring Sump

Model Number	A	B	C	D	E	F	Max Capacity (BPH)	Max Capacity (MT/Hr)
42x42x30 x 16 Sq	30.188"	16.000"	19.125"	18.000"	4.500"	16	15819.7	401.8
42x42x30 x 18 Sq	30.188"	18.000"	21.125"	20.000"	5.000"	16	19902.7	505.5
42x42x30 x 20 Sq	30.188"	20.000"	23.125"	22.000"	5.500"	16	24472.7	621.6
42x42x30 x 24 Sq	30.188"	24.000"	27.125"	26.000"	4.333"	24	35091.6	891.3
42x42x30 x 30 Sq	30.188"	30.000"	34.125"	32.375"	4.625"	28	54681.8	1388.9
42x42x30 x 36 Sq	30.188"	36.000"	40.125"	38.625"	4.828"	32	78336.3	1989.7

## Corded Sump

Model Number	A	B	C	D	E	F	Max Capacity (BPH)	Max Capacity (MT/Hr)
42x42x24 x 16 Sq	24.188"	16.000"	19.125"	18.000"	4.500"	16	17920	455.2
42x42x30 x 16 Sq	30.188"	16.000"	19.125"	18.000"	4.500"	16	17920	455.2
42x42x30 x 18 Sq	30.188"	18.000"	21.125"	20.000"	5.000"	16	22680	576.1
42x42x30 x 20 Sq	30.188"	20.000"	23.125"	22.000"	5.500"	16	28000	711.2
42x42x30 x 24 Sq	30.188"	24.000"	27.125"	26.000"	4.333"	24	40320	1024.1
42x42x30 x 30 Sq	30.188"	30.000"	34.125"	32.375"	4.625"	28	63000	1600.2
42x42x30 x 36 Sq	30.188"	36.000"	40.125"	38.625"	4.828"	32	90720	2304.3