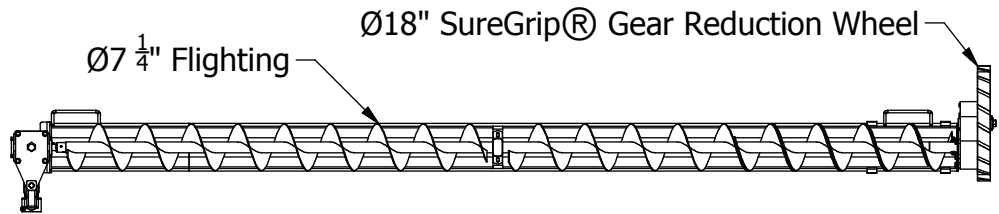
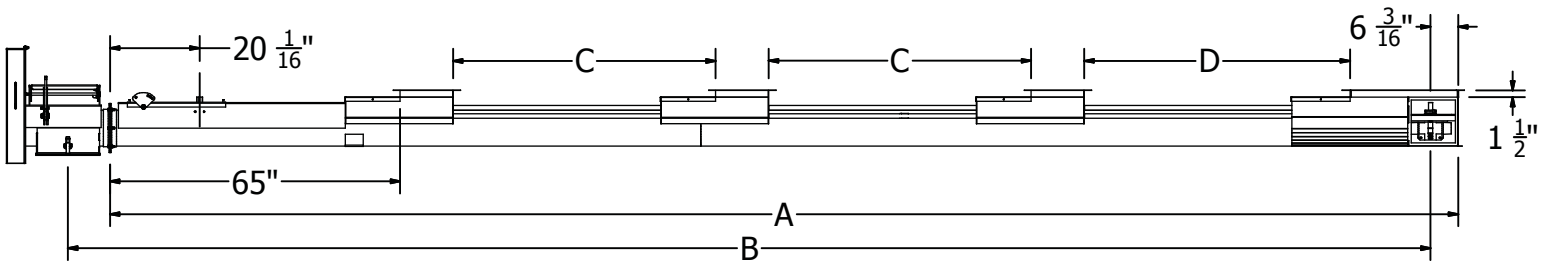
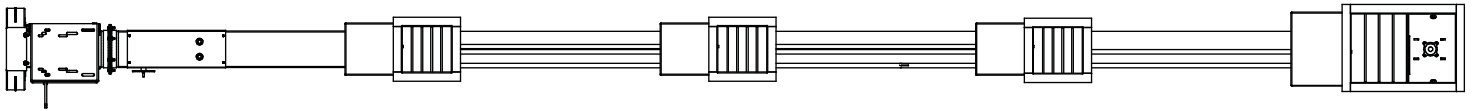
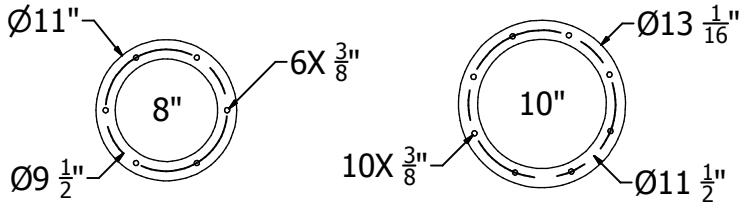
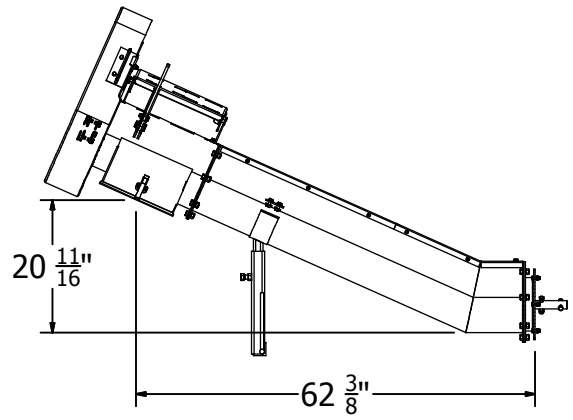




Tube Spec Sheet



| MODEL NO. | INTERMEDIATE GATES | A | B | C | D | MIN BIN DIAMETER | MAX BIN DIAMETER |
|-----------|--------------------|----------|----------|---------|---------|------------------|------------------|
| 14/15 | 1 | 136.887" | 139.891" | n/a | 35.550" | 13.486' | 15.856' |
| 18/19 | 1 | 156.137" | 159.391" | n/a | 55.050" | 16.986' | 19.366' |
| 20/22 | 1 | 173.637" | 176.891" | n/a | 72.550" | 19.819' | 22.204' |
| 24/26 | 1 | 194.637" | 197.891" | n/a | 93.550" | 23.819' | 26.208' |
| 27/29 | 2 | 215.043" | 218.297" | 50.654" | 51.416" | 26.653' | 29.044' |
| 30/31 | 2 | 232.575" | 235.828" | 59.419" | 60.181" | 29.569' | 31.963' |
| 32/34 | 2 | 247.137" | 250.391" | 66.700" | 67.463" | 31.986' | 34.381' |
| 35/37 | 2 | 265.137" | 268.391" | 75.700" | 76.463" | 34.986' | 37.383' |
| 38/40 | 2 | 283.137" | 286.391" | 84.700" | 85.463" | 37.986' | 40.384' |
| 42/43 | 3 | 302.059" | 305.313" | 58.812" | 59.574" | 41.153' | 43.551' |
| 44/46 | 3 | 319.122" | 322.375" | 64.499" | 65.262" | 43.986' | 46.385' |
| 48/50 | 3 | 341.106" | 344.359" | 71.827" | 72.590" | 47.653' | 50.052' |