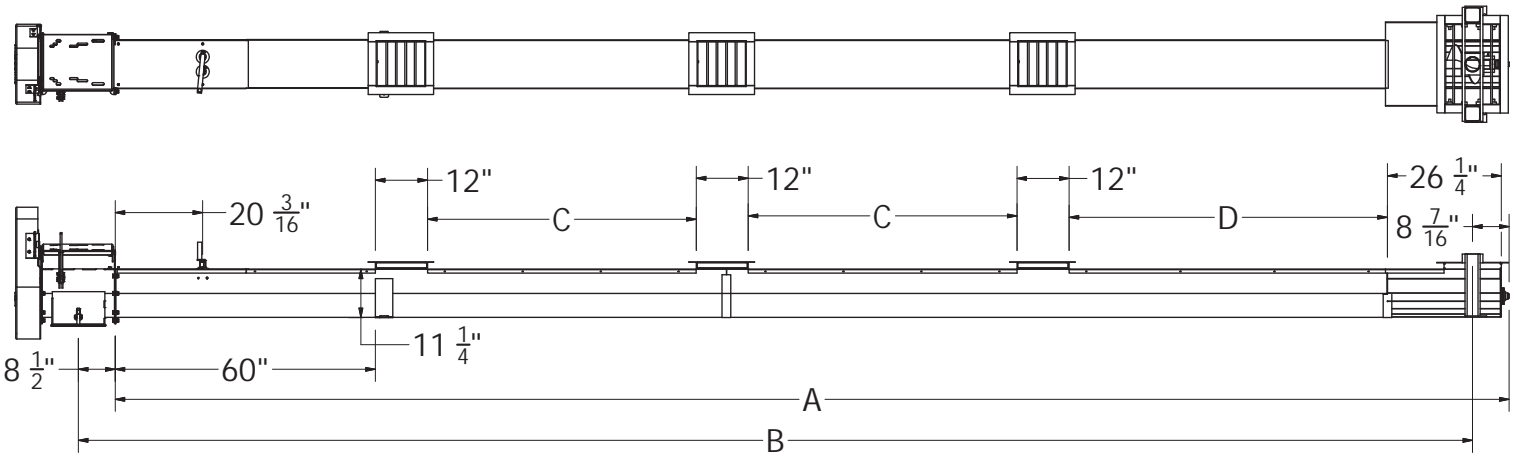
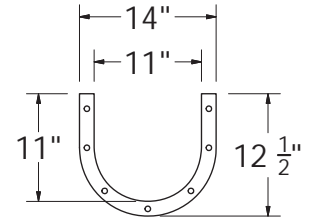




U-Trough EX 14'-50'

Spec Sheet



MODEL NO.	INTERMEDIATE				
	GATES	A	B	C	D
14/15	1	138.868"	138.964"	n/a	38.828"
18/19	1	158.368"	158.464"	n/a	58.328"
20/22	1	175.868"	175.964"	n/a	75.828"
24/26	1	196.868"	169.964"	n/a	96.828"
27/29	2	217.274"	217.370"	46.890"	58.343"
30/31	2	234.805"	234.901"	55.656"	67.109"
32/34	2	249.368"	249.464"	62.938"	74.390"
35/37	2	267.368"	267.464"	71.938"	83.390"
38/40	2	285.368"	285.464"	80.938"	92.390"
42/43	3	304.290"	304.386"	56.265"	67.718"
44/46	3	321.352"	321.448"	61.953"	73.406"
48/50	3	343.336"	343.432"	69.281"	80.734"