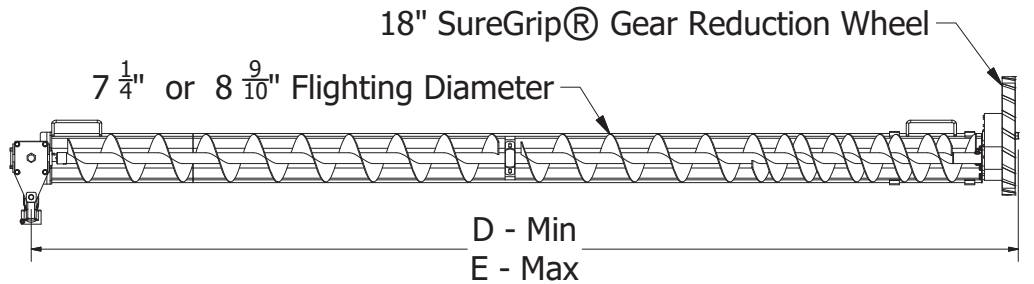
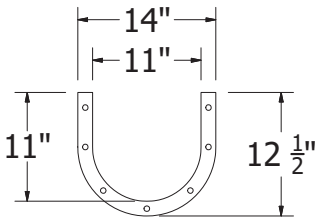
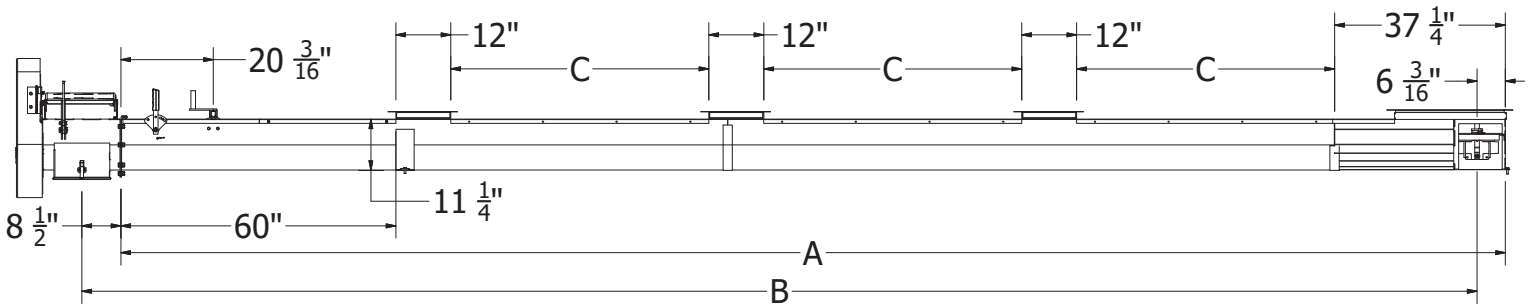
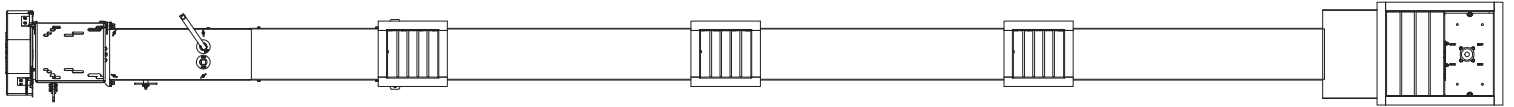
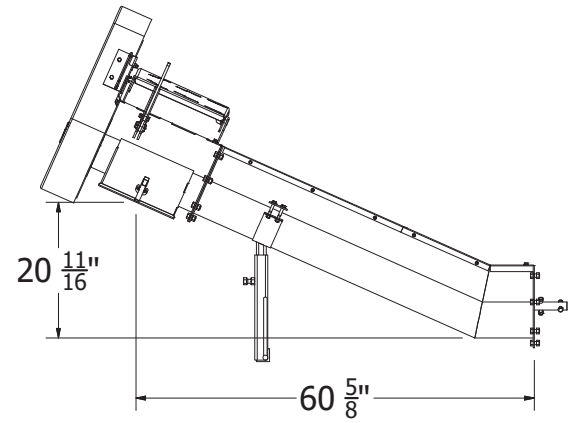




U-Trough FS 14'-50'

Spec Sheet



INTERMEDIATE

MODEL NO.	GATES	A	B	C	D	E
14/15	1	136.887"	138.964"	27.375"	78.25"	96.25"
18/19	1	156.137"	158.464"	46.875"	97.25"	115.25"
20/22	1	173.637"	175.964"	64.375"	115.75"	133.75"
24/26	1	194.637"	196.964"	85.375"	136.25"	154.25"
27/29	2	215.043"	217.370"	46.891"	150.25"	168.25"
30/31	2	232.575"	234.901"	55.656"	173.75"	191.75"
32/34	2	247.137"	249.464"	62.938"	187.00"	205.00"
35/37	2	265.137"	267.464"	71.938"	205.75"	223.75"
38/40	2	283.137"	285.464"	80.938"	223.25"	241.25"
42/43	3	302.059"	304.386"	56.266"	244.25"	262.25"
44/46	3	319.122"	321.448"	61.953"	261.25"	279.25"
48/50	3	341.106"	343.433"	69.281"	280.25"	298.25"