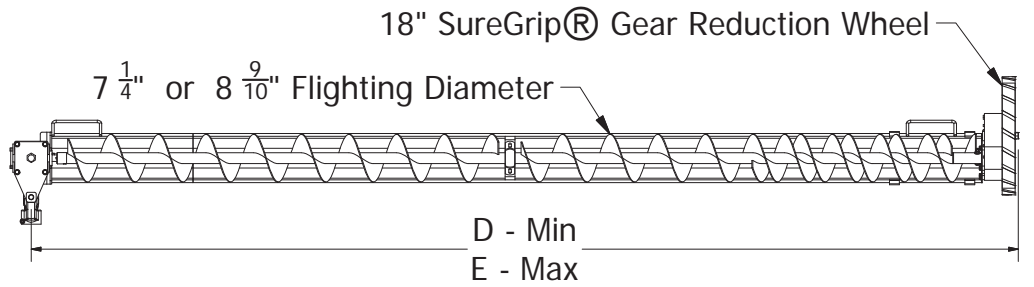
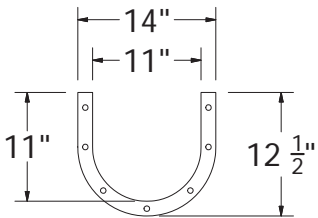
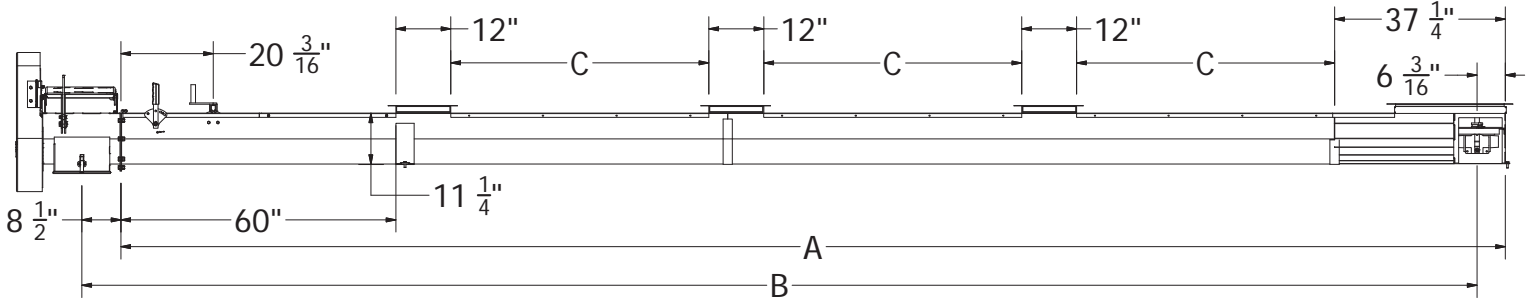
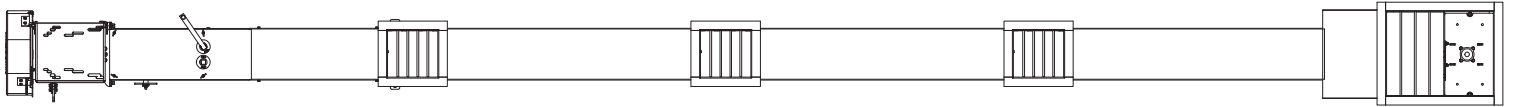
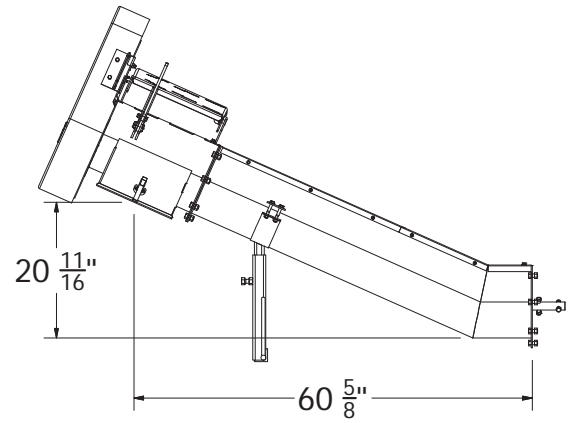




# U-Trough FS 14'-50'

## Spec Sheet



### INTERMEDIATE

MODEL NO.	GATES	A	B	C	D	E
14/15	1	136.887"	138.964"	27.375"	13.486'	15.856'
18/19	1	156.137"	158.464"	46.875"	16.986'	19.366'
20/22	1	173.637"	175.964"	64.375"	19.819'	22.204'
24/26	1	194.637"	196.964"	85.375"	23.819'	26.208'
27/29	2	215.043"	217.370"	46.891"	26.653'	29.044'
30/31	2	232.575"	234.901"	55.656"	29.569'	31.963'
32/34	2	247.137"	249.464"	62.938"	31.986'	34.381'
35/37	2	265.137"	267.464"	71.938"	34.986'	37.383'
38/40	2	283.137"	285.464"	80.938"	37.986'	40.384'
42/43	3	302.059"	304.386"	56.266"	41.153'	43.551'
44/46	3	319.122"	321.448"	61.953"	43.986'	46.385'
48/50	3	341.106"	343.433"	69.281"	47.653'	50.052'