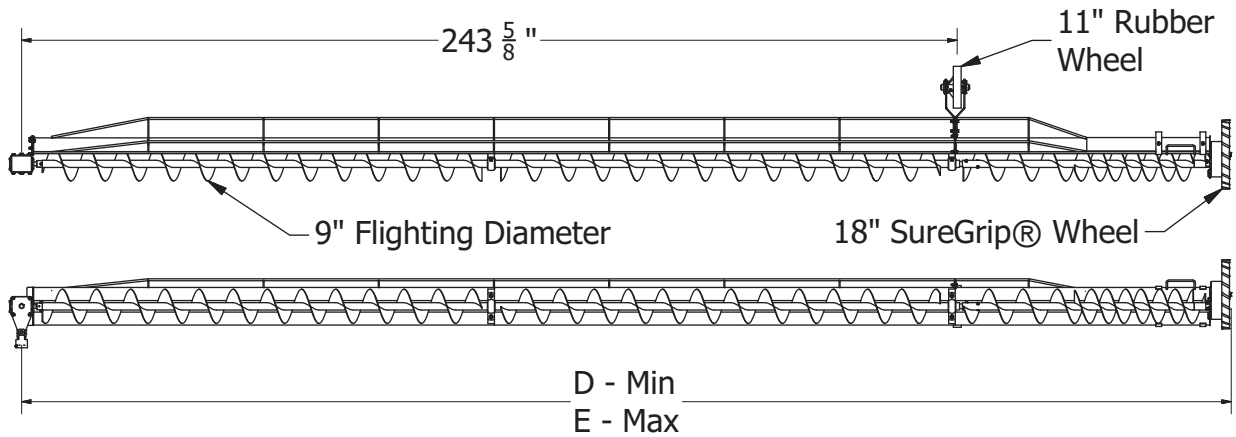
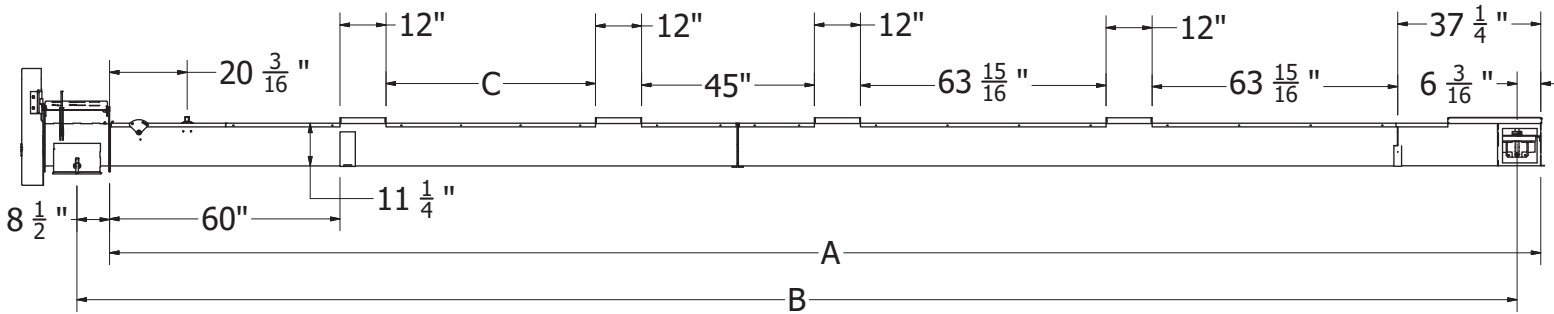
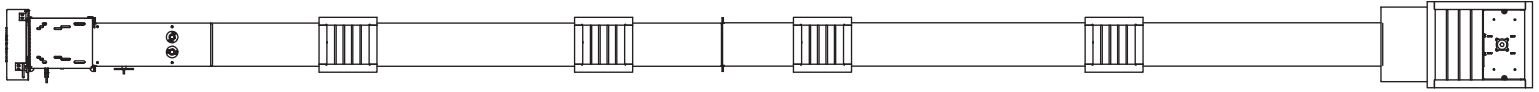
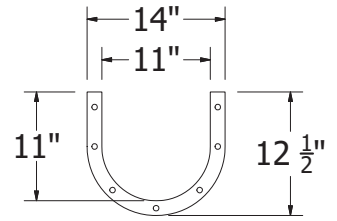




# U-Trough FS 54'-60' Spec Sheet



INTERMEDIATE						
MODEL NO.	GATES	A	B	C	D	E
54/55	4	372.702"	375.029"	54.565"	315"	333"
60/61	4	408.702"	411.029"	90.565"	351"	369"